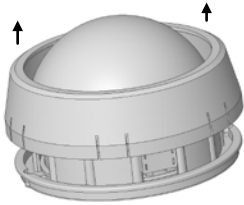
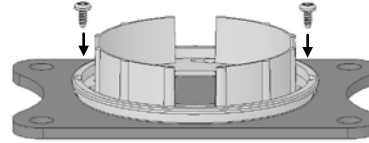


Installing a X-Port Kayaker on the Kayaker Tie down Kit

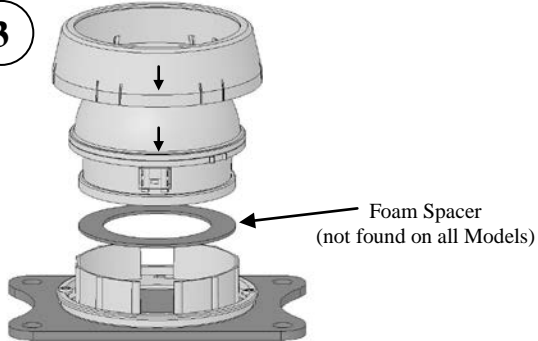
1



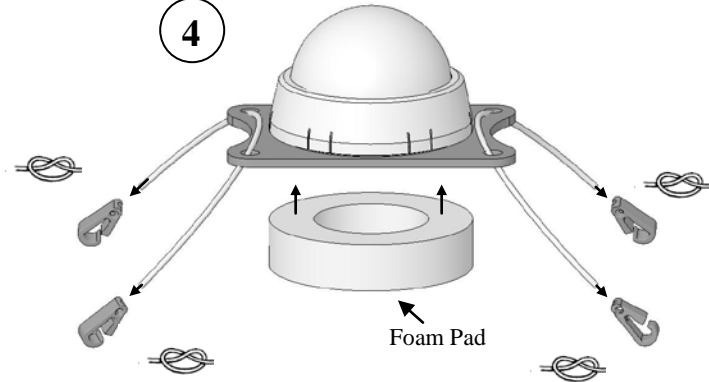
2



3



4



Important Notes:

- Please read the Instructions that came with your compass completely before installing it on your Kayak. Care should be taken during installation to equalize tension on the elastic cords to ensure a level mounting of the compass.
- If the deck shape is severely contoured, you can carve the approximate shape into the foam pad to aid in final alignment.
- When mounting the X-Port Kayaker to the mounting plate do not use the mounting gasket (not shown) that came with your compass.